

90° Ventilation bend made of EPP

# EPP-BPF-90



## Description

90° ventilation bend made of expanded polypropylene (EPP). Bends are produced in diameters 125, 150, 160 and 180mm. The standard wall thickness is 15mm (gray). Available on request 43mm thick (black color). Each bend is delivered with one female coupling in the set, the connection method eliminates thermal bridges. The 90° bend can be cut in half along the extrusion, forming two 45° bends (an additional EPP-MSF may be needed).

Thermal conductivity: 0.039 W / m \* K  
Airtightness class: C  
Surface roughness: 0.077 mm

### Available materials:

EPP-BPF-....- EPP (expanded polypropylene)

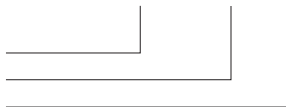
### Example of marking:

Product code: **EPP-BPF - aaa - bbb**

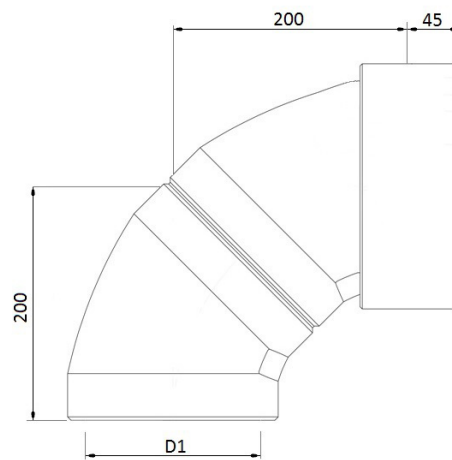
type

diameter  $\varnothing d_1$

angle



## Dimensions



Product code	Diameter [mm]	Wall thickness [mm]
EPP-BPF-125-90	125	15
EPP-BPF-150-90	150	15
EPP-BPF-160-90	160	15
EPP-BPF-180-90	180	15

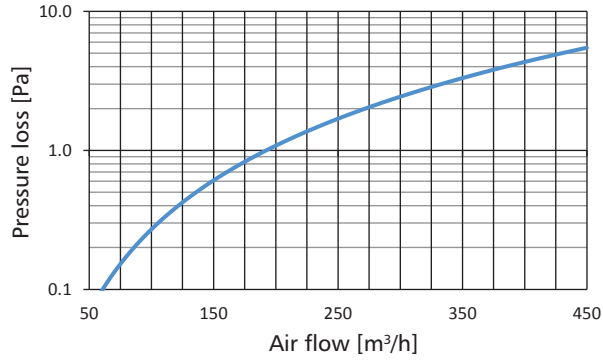
# 90° Ventilation bend made of EPP

## EPP-BPF-90

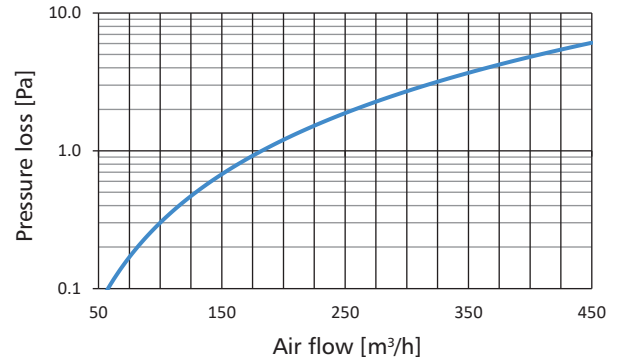
### Technical data

Pressure loss chart

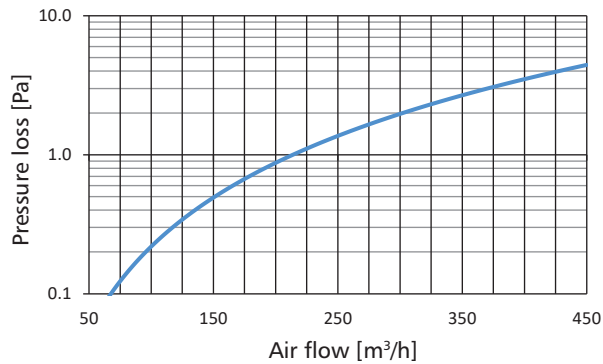
Measurement: inner diameter: 125mm, angle: 90°,  
temp: 25°C,  $P_{atm}$ : 1004 mBar,  $\rho$  (density): 1.173 kg/m<sup>3</sup>



Measurement: inner diameter: 150mm, angle: 90°,  
temp: 28.9°C,  $P_{atm}$ : 1004 mBar,  $\rho$  (density): 1.158 kg/m<sup>3</sup>



Measurement: inner diameter: 160mm, angle: 90°,  
temp: 32°C,  $P_{atm}$ : 1004 mBar,  $\rho$  (density): 1.146 kg/m<sup>3</sup>



Measurement: inner diameter: 180mm, angle: 90°,  
temp: 27.4°C,  $P_{atm}$ : 1015 mBar,  $\rho$  (density): 1.176 kg/m<sup>3</sup>

